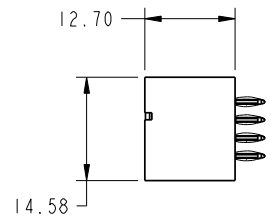
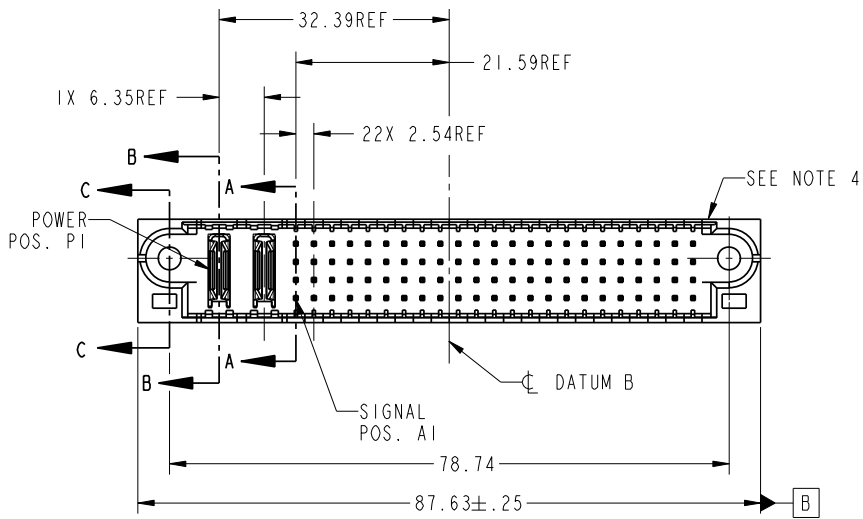


Tous droits strictement reserves. Reproduction ou communication a des tiers interdite sous quelque forme que ce soit sans autorisation écrite du propriétaire. Propriété de c FCI. Droits de reproduction FCI.



All rights strictly reserved. Reproduction or issue to third parties in any form whatever is not permitted without written authority from the proprietor. Property of FCI. Copyright FCI.

PRODUCT NO.	ROWS	POWER		SIGNAL																				E2					
		E1	P1	P2	1	2	3	4	5	6	7	8	9	10	11	12	13	14	15	16	17	18	19		20	21	22	23	
51712-004-- NOTE: 3	D C B A				G	G	G	G	G	G	G	G	G	G	G	G	G	G	G	G	G	G	G	G	G	G	G	G	



CODE	DIM "M" MATING LENGTH	CONTACT TYPE
PC	[N/A]	POWER
G	[6.86]	SIGNAL
K	[5.59]	SIGNAL

mat'l code				SEE NOTE		tolerances unless otherwise specified		CUSTOMER	
lfr	ecn no.	dr	date	linear	0.X ± 0.3		COPY		
A	V03-0855	MEM	8/5/03		0.XX ± 0.13		projection		
B	DG05-0212	SJ	07/07/05	angles	0.XXX ± 0.051				
C	DG06-0011	CS	01/09/06	dr	0° ± 2°				
D	DG07-0357	JULIA	09/10/07	enrg	M. MOSTOLLER	8/5/03	MM		
				chr	H. BREWBAKER	8/5/03	scale		
				appd	M. MOSTOLLER	8/5/03	1:1		
sheet index	revision	D	D	D	D				
		1	2	3	4				

		www.fciconnect.com	
title		2P + 92S	
product family		PwrBlade	
size		code	
dwg no		213	
A		51712-004	
sheet		1 of 4	

cage code 22526

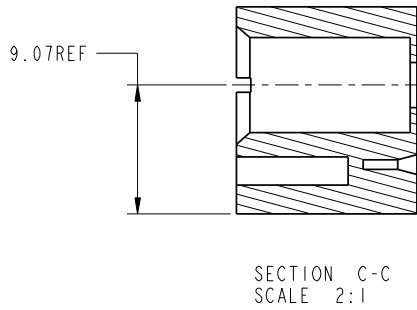
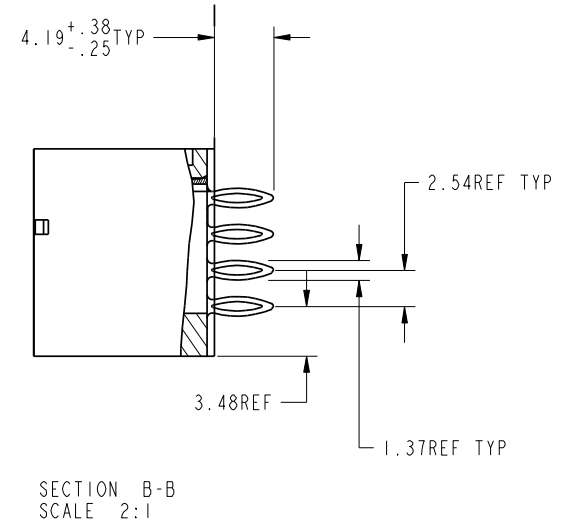
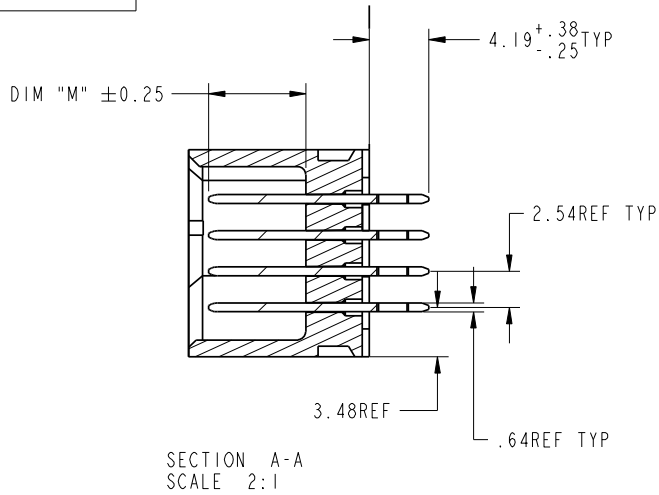
Pro/E

Tous droits strictement reserves. Reproduction ou communication a des tiers interdite sous quelque forme que ce soit sans autorisation ecrite du proprietaire. Propriete de c FCI. Droits de reproduction FCI.



All rights strictly reserved. Reproduction or issue to third parties in any form whatever is not permitted without written authority from the proprietor. Property of FCI. Copyright FCI.

PRODUCT NUMBER  
51712-004--  
NOTE: 3



mat'l code				SEE NOTE	tolerances unless otherwise specified		CUSTOMER		FCI www.fciconnect.com	
lfr	ecn no.	dr	date	linear	0.X ±0.3	COPY		title		
D					0.XX ±0.13	projection		2P + 92S		
				angles	0.XXX ±0.051			VERTICAL PRESS FIT HEADER		
				dr	M. MOSTOLLER 8/5/03			product family	PwrBlade	code
				enrg	M. MOSTOLLER 8/5/03	MM		size	dwg no	213
				chr	H. BREWBAKER 8/5/03	scale		A	51712-004	sheet
				appd	M. MOSTOLLER 8/5/03	1:1				2
sheet index	revision sheet									

Pro/E

cage code 22526



Tous droits strictement reserves. Reproduction ou communication a des tiers interdite sous quelque forme que ce soit sans autorisation écrite du propriétaire. Propriete de c FCI. Droits de reproduction FCI.



All rights strictly reserved. Reproduction or issue to third parties in any form whatever is not permitted without written authority from the proprietor. Property of FCI. Copyright FCI.

PRODUCT NUMBER  
51712-004\_\_  
NOTE: 3

NOTES:

1. DIMENSIONS AND TOLERANCES ARE IN ACCORDANCE WITH ASME Y14.5M, 1994 UNLESS OTHERWISE SPECIFIED.

CONNECTOR NOTES:

- 2 HOUSING MATERIAL: UL 94 V-0 GLASS FILLED  
HIGH-TEMP THERMOPLASTIC  
POWER CONTACT MATERIAL: COPPER ALLOY  
SIGNAL PIN MATERIAL: COPPER ALLOY
  - 3. PLATING:  
51712-004 ,51712-004LF PLATING SPEC. WAS SHOWN IN THE PRINT OF 10064183.
  - 4 MANUFACTURER'S NAME, P/N, AND DATE CODE TO APPEAR ON THIS SURFACE.
  - 5. PRODUCT SPECIFICATION GS-12-149.  
APPLICATION SPECIFICATION BUS-20-067.
  - 6. PACKAGED IN TRAYS.
- PCB NOTES:
- 7. ALL HOLE DIAMETERS ARE FINISHED HOLE SIZE.
  - 8. MOUNTING HOLES, WHERE APPLICABLE, ARE UNPLATED.
  - 9  $\varnothing 1.151 \pm 0.025$  DRILLED HOLES PLATED WITH  
0.008 MIN SnPb OR Sn OVER .001 [0.03]  
TO 0.08 Cu PLATING TO ACHIEVE  
 $\varnothing 1.02 \pm .07$  HOLE.
  - 10 "DIM XXX" TO BE DETERMINED BY THE CUSTOMER.
  - 11 CONNECTOR KEEP-OUT ZONE.
12. FOR PRESS FIT APPLICATION USE FCI CAM TOOL 430169-XXX.

mat'l code				SEE NOTE		tolerances unless otherwise specified		CUSTOMER		FCI www.fciconnect.com	
lfr	ecr no.	dr	date	linear	0.X ± 0.3	COPY		projection		title	
D					0.XX ± 0.13					2P + 92S VERTICAL PRESS FIT HEADER	
				angles	0° ± 2°					product family PwrBlade code	
				dr	M. MOSTOLLER 8/5/03			size		213	
				enrg	M. MOSTOLLER 8/5/03			dwg no		sheet	
				chr	H. BREWBAKER 8/5/03			A		4	
				appd	M. MOSTOLLER 8/5/03	scale 1:1		51712-004			
sheet index		revision sheet									

cage code 22526

Pro/E